
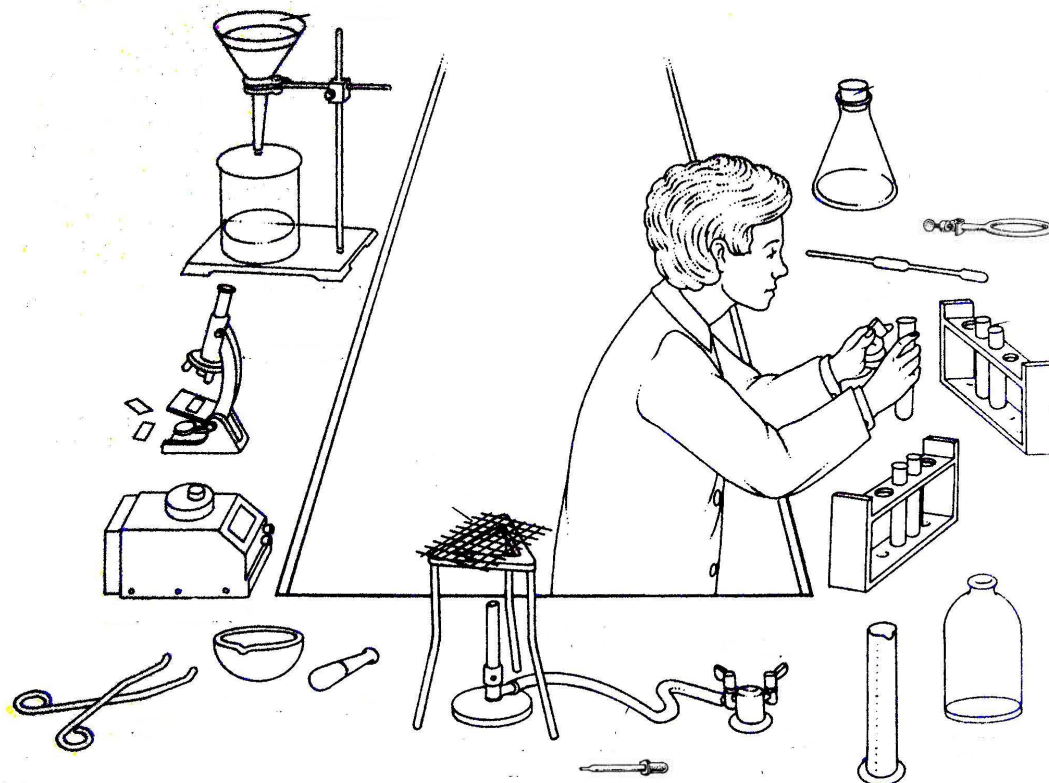




# MAKING AN INDICATOR OUT OF RED CABBAGE

 1. Circle the lab material you will need in this experiment.



 2. Draw next to each name a sketch of the proper instrument from the ones above.

pestle		mortar	
funnel		support stand	
beaker		clamp holder	
filter paper		support ring	



3. Complete these sentences using the word bank below, and order them 1-8.

Keep crushing until all the \_\_\_\_\_ has come out.

Filtrate the \_\_\_\_\_ obtained.

Collect your \_\_\_\_\_ in a flask and label it.

Take some \_\_\_\_\_ of the red cabbage.

Crush your plant pieces with the \_\_\_\_\_.

Set up the \_\_\_\_\_ device.

Add some \_\_\_\_\_ to the mixture.

Fold the filter paper and put it into the \_\_\_\_\_.

leaves                  water                  indicator                  acid                  filtration  
 colour                  pestle and mortar                  funnel                  mixture                  bleach

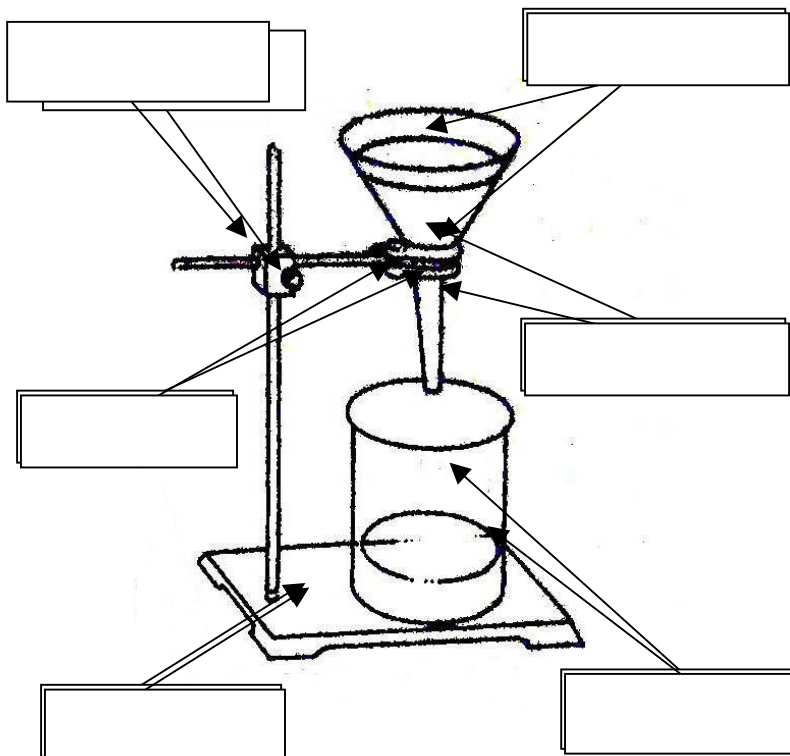


4. Who is going to do what? Organise your tasks. Write the sentences above in two columns, the left one with your tasks, and the right one with your partner's tasks. Remember to add the **cleaning** tasks!

My tasks	My partner's tasks
I will be the one who...	My partner will be the one who...



5. Label the instruments of this filtration device. Then, match the sentences with the filter paper drawings (the drawings are in the correct order, not the sentences):



1. Tear a corner from the smaller side of the filter paper.
2. Fold the filter paper exactly in half.
3. Open the filter paper on the larger side so that the torn corner is on the outside of the cone.
4. Fold the filter paper into quarters with the top section smaller than the bottom one.

